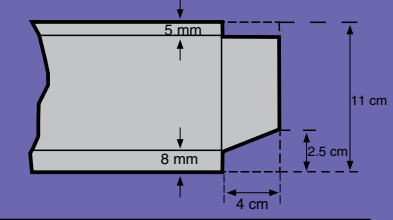
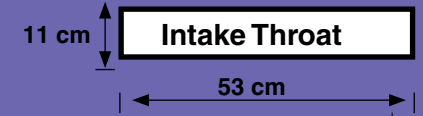
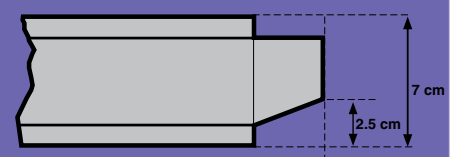
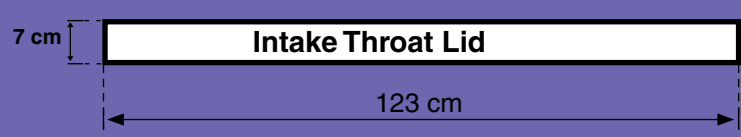
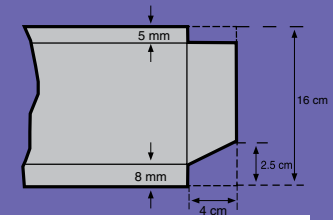
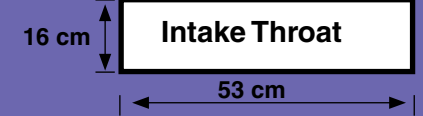
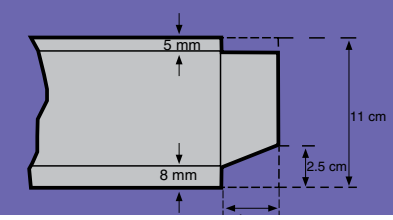
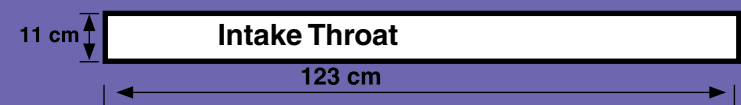
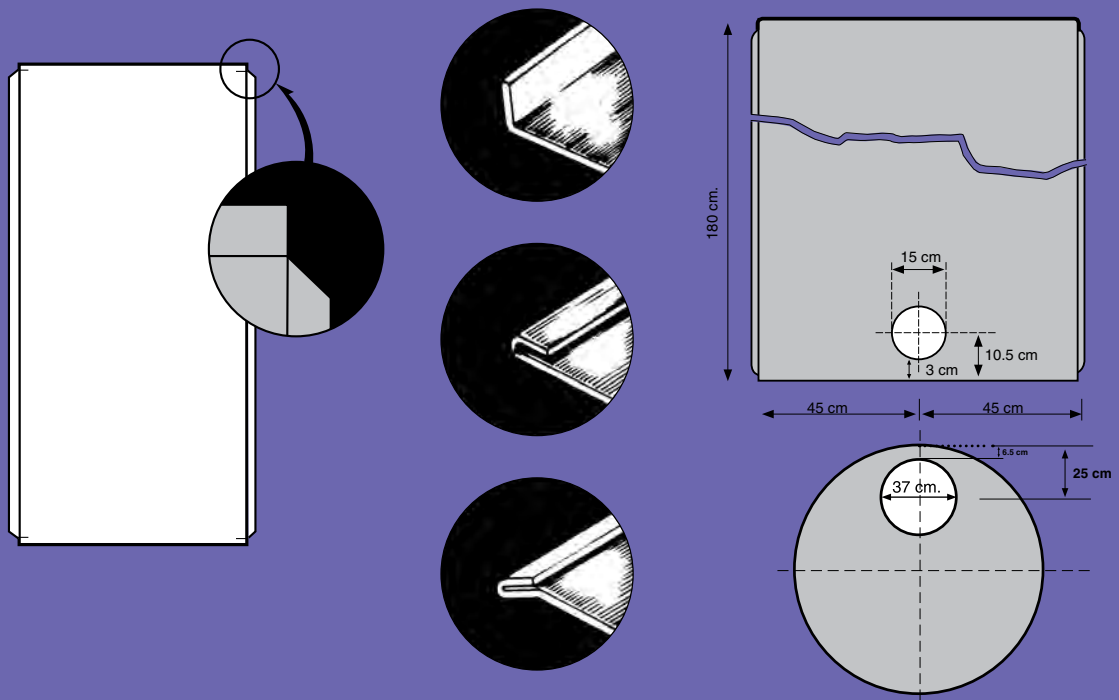
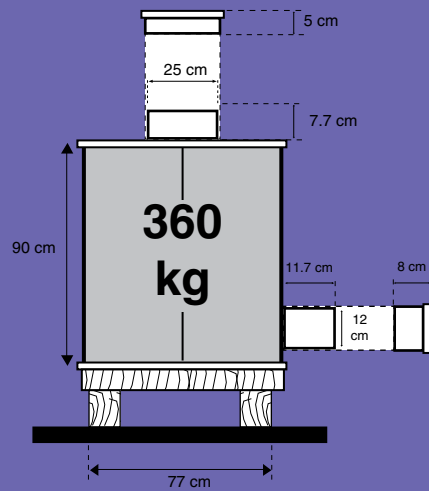


# CUTTING PIECES FOR 180 KG. 360 KG. 540 KG. AND 1,360 KG



## MEASUREMENTS FOR 360 KG SILOS

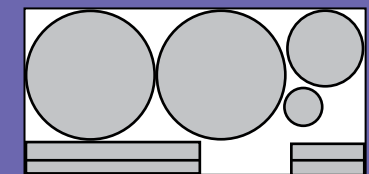


- Cylinder One 2,44 meter (8 feet) galvanised sheet
- Cylinder Lid and Bottom: diam 78 cm
- Bottom of Intake Throat: diam 27 cm
- Bottom of Seed Outlet: diam 14 cm
- Strip for Intake Throat: 84 x 9 cm
- Strip for Intake Throat Lid: 84 x 6 cm
- Strip for Seed Outlet: 41 x 13 cm
- Strip for Seed Outlet Lid: 42 x 9 cm

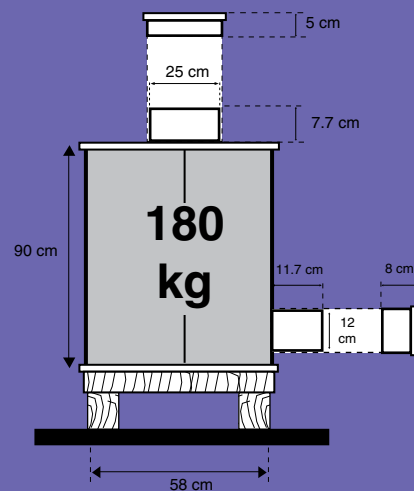
Note: If the available galvanised sheets measure only 180 cm (6 foot), add a 61 cm (2 foot) piece.



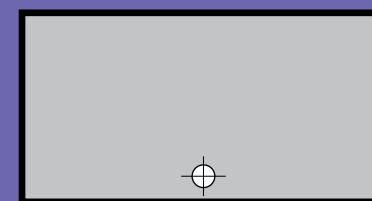
1, 1/3 sheet



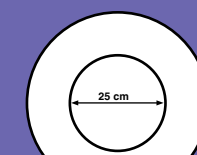
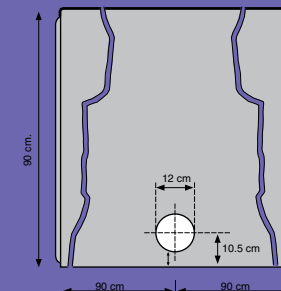
## MEASUREMENTS FOR 180 KG SILOS



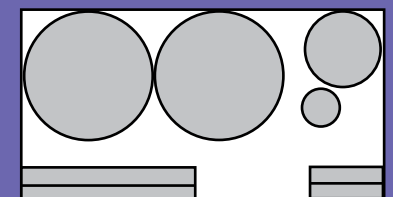
- Cylinder One galvanised sheet
- Cylinder Lid and Bottom: diam 55-60 cm
- Bottom of Intake Throat: diam 25-30 cm
- Bottom of Seed Outlet: diam 10-15 cm
- Strip for Intake Throat: 84 x 9 cm
- Strip for Intake Throat Lid: 84 x 6 cm
- Strip for Seed Outlet: 41 x 13 cm
- Strip for Seed Outlet Lid: 42 x 9 cm



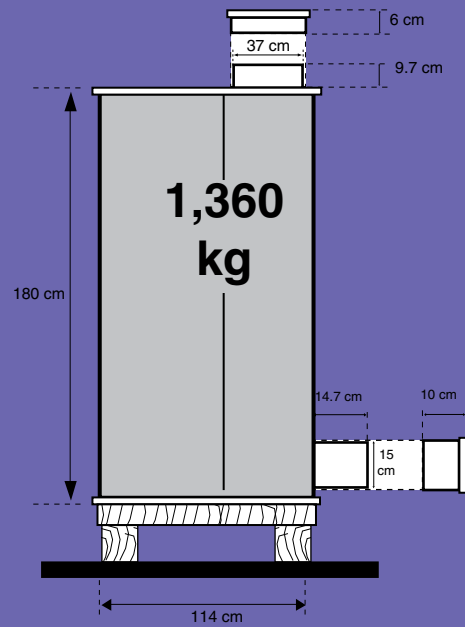
1 sheet



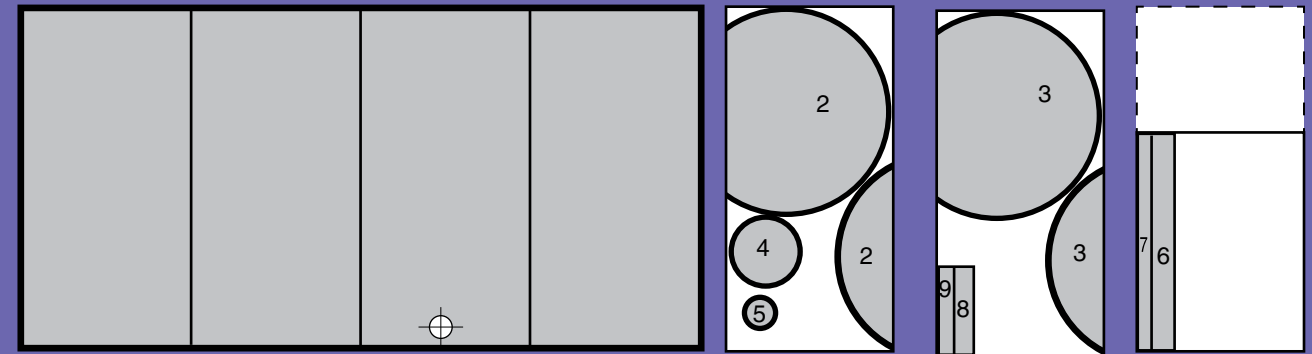
59 cm



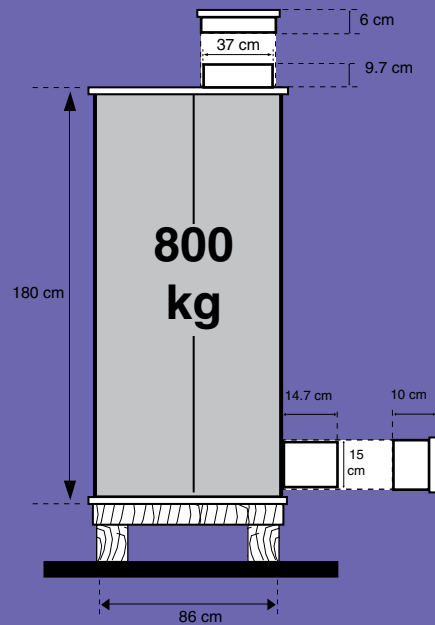
## MEASUREMENTS FOR 1,360 KG SILOS



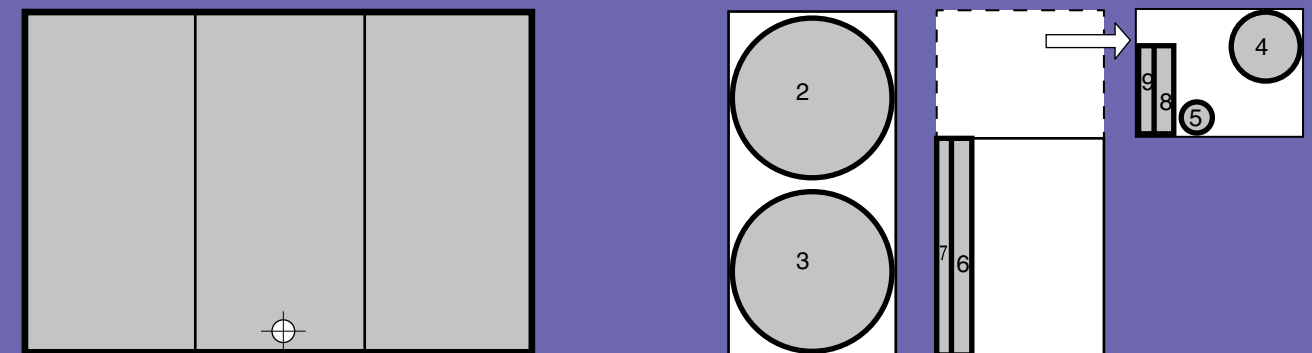
Cylinder	4 galvanised sheets
Cylinder Lid and Bottom:	diam 115-120 cm
Bottom of Intake Throat:	diam 35-40 cm
Bottom of Seed Outlet:	diam 10-15 cm
Strip for Intake Throat:	123 x 11 cm
Strip for Intake Throat Lid:	123 x 7 cm
Strip for Seed Outlet:	53 x 16 cm
Strip for Seed Outlet Lid:	53 x 11 cm



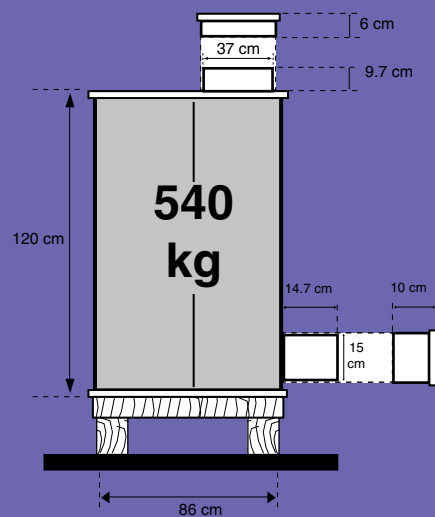
## MEASUREMENTS FOR 800 KG SILOS



Cylinder	3 galvanised sheets
Cylinder Lid and Bottom:	diam 85-90 cm
Bottom of Intake Throat :	diam 35-40 cm
Bottom of Seed Outlet:	diam 10-15 cm
Strip for Intake Throat:	123 x 11 cm
Strip for Intake Throat Lid:	123 x 7 cm
Strip for Seed Outlet:	53 x 16 cm
Strip for Seed Outlet Lid:	53 x 11 cm



## MEASUREMENTS FOR 540 KG SILOS



Cylinder:	3 galvanised sheets
Cylinder Lid and Bottom:	diam 85-90 cm
Bottom of Intake Throat:	diam 35-40 cm
Bottom of Seed Outlet:	diam 10-15 cm
Strip for Intake Throat:	123 x 11 cm
Strip for Intake Throat Lid:	123 x 7 cm
Strip for Seed Outlet:	53 x 16 cm
Strip for Seed Outlet Lid:	53 x 11 cm

